



LED unlimited rotation beam moving

6x15w RGBW4in1 LED

ST-6EYE

USER MANUAL



IMPORTANT NOTE: Electric products must not put into household waste. please bring them to a recycling center, ask your local authorities or your dealer about the way to proceed.

1. Preface

1.1 Packing list

Product name	quantity
moving head light	1 pcs
Power line	1 base
User manual	1 pcs

1.2 Unpacking instructions

On receiving a fixture, carefully unpack the carton, check the contents to ensure that all parts are presented, and have been received in a good condition. Notify the shipper immediately and retain packing material for inspection if any parts appear damaged from shipping or the carton itself shows, sign of mishandling. Save the carton and all packing materials. In the event that a fixture must be returned to the factory , it is important that the fixture should be returned in original factory box and packing.

1.3 AC Power

To determine the power requirements for a particular fixture, see the label affixed to the back plate of the fixture or referred to the fixtures specification chart. A fixture listed current rating is its average current draw under normal conditions. All fixtures must be directly powered off a switched circuit and cannot be run off a rheostat(variable resist) or dimmer circuit, even if the rheostat or dimmer source voltage matches the fixtures requirement. Check the fixture or device carefully to make sure that if a voltage selection switch exists that it is set to the correct line voltage

you will use.

Warning! Verify that the voltage select switch on your unit matches the line voltage applied. Damage to your fixture may result if the line voltage applied does not match the voltage indicated on the voltage selector switch. All fixtures must be connected to circuits with a suitable Earth ground.

1.4 Safety instructions

Please read these instructions, it includes important information about the installation, usage and maintenance of this product.

Please keep this user guide for future consultation. If you sell the unit to another user, be sure that they also receive this instruction booklet.

Always make sure that you are connecting to the proper voltage, and that the line voltage you are connecting to is not higher than that stated on the decal or rear panel of the fixture.

This product is intended for indoor use only!

To prevent risk of fire or shock, do not expose fixture to rain or moisture. Make sure that there are no flammable materials close to the unit while operating.

The unit must be installed in a location with adequate ventilation, at least 20in(50cm) from adjacent surfaces. Be sure that no ventilation slots are blocked.

Always disconnect from power source before servicing or replacing fuse and be sure to replace with same fuse size and type.

Secure fixture to fastening device using a safety chain. Never carry the fixture solely by its head. Use its carrying handles.

Maximum ambient temperature () is 104 °F (40 °C). Do not operate fixture at temperatures higher than this.

In the event of a serious operating problem, stop using the unit immediately. Never try to repair the unit by yourself. Repairs carried out by unskilled people can lead to damage or malfunction. Please contact the nearest authorized technical assistance center. Always use the same type spare parts.

Don't connect the device to a dimmer device.

Make sure the power cord never crimped or damaged.

Never disconnect the power cord by pulling or gagging on the cord.

Avoid direct eye exposure to the light source while it is on.

2. Introduction

2.1 Features

Power consumption: 100w

Led source: 6pcs 15wRGBW4in1 LEDs

Strobe:1-30 times/ second electronic strobe and random strobe

11/14 DMX channels,optional

Pan :540°

Tilt:220° .

Color rotation system:RGBW4in1 rotation

Beam angle:10°

Dimmer:0-100% electronic dimmer

2.2 DMX channel

Channel	Function
1	Pan
2	Tilt
3	Rotation
4	Dimmer
5	Red
6	Green
7	Blue
8	White
9	Strobe
10	auto speed

3. Setup

Disconnect the power cord before replacing a fuse and always replace with the same type fuse.

3.1 Fuse replacement

With a flat head screwdriver wedge the fuse hold out of its housing. Remove the damaged fuse from its holder and replace with exact same type fuse. Insert the fuse holder back in its place and reconnect power.

3.2 Fixture linking

You will need a serial data link to run light show of one or more fixtures using a DMX-512 controller or to run synchronized on two or more fixtures set to a master/slave operating mode. The combined number of channels required by all the fixtures on a serial data link determines the number of fixtures the data link can support.

Maximum recommended serial data link distance:500 meters(1640ft).

Maximum recommended number of fixtures on a serial data link:32 fixtures.

Data cabling

To link fixtures together you must obtain data cables. If you choose to create your own cable please use data-grade cables that can carry a high quality signal and are less prone to electromagnetic interference.

DMX data cable

Use a Belden 9841 or equivalent cable which meets the specifications for EIA RS-485 applications. Standard microphone cables cannot transmit DMX data reliably over long distances. The cable will have the following characteristics:

2-conductor twisted pair plus a shield.

maximum capacitance between conductors-30 pF/ft.

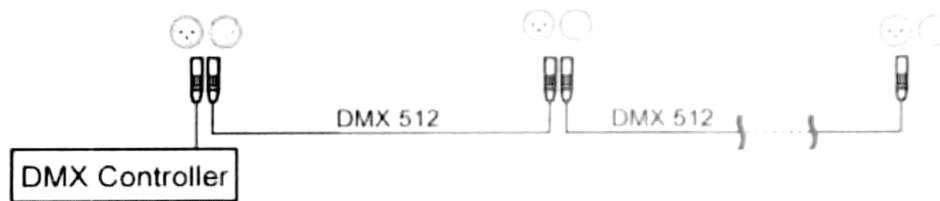
maximum capacitance between conductor and shield -55 pF/ft.

maximum resistance of 20 ohms/1000ft.

nominal impedance 100-140 ohms.

3.3 Setting up a DMX serial data link

At first link the first light and DMX control through XLR-connection signal cable, then connect the light in series, as the follow



3.4 Master/Slave fixture linking

1. Connect the (male) 3 pin connector side of the DMX cable to the output (female) 3 pin connector of the first fixture.

2. Connect the end of the cable coming from the first fixture which will have a (female) 3 pin connector to the input connector of the next fixture consisting of a (male) 3 pin connector. Then, proceed to connect from the output as stated above to the input of the following fixture and so on.

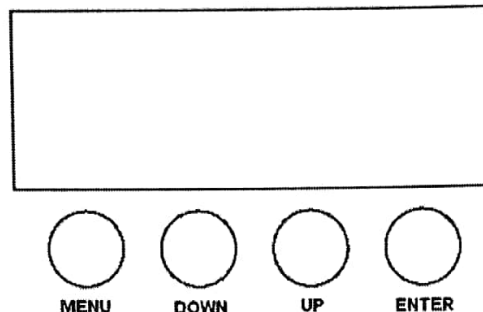
3.5 orientation

This fixture may be mounted in any position provided there is adequate room for ventilation.

4. Operating instructions

4.1 Navigating the control panel

Access control panel functions using the four panel buttons located directly under near the the LCD display.

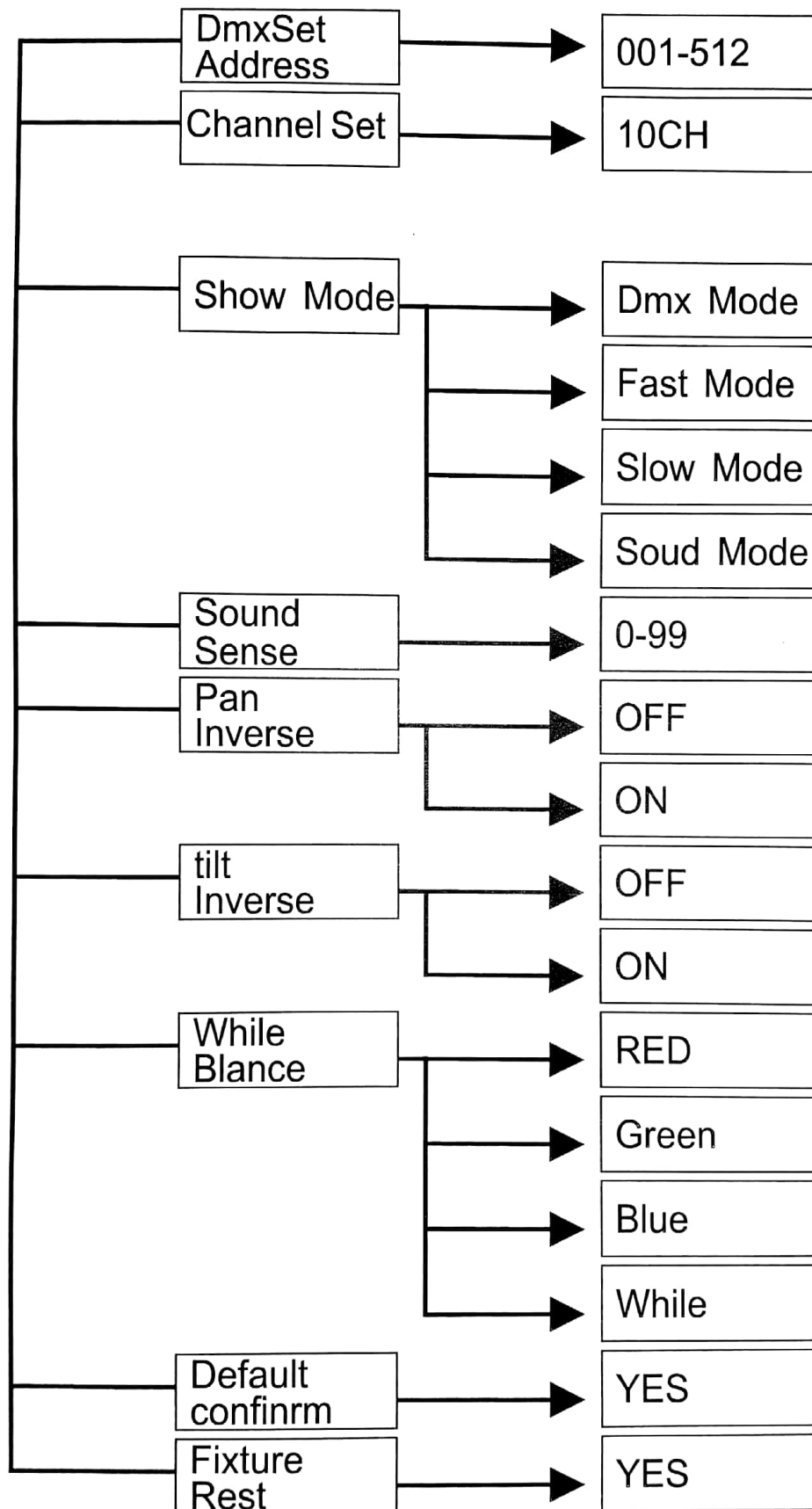


Button	Function
<MENU>	Used to access the menu or return to a previous menu option.
<DOWN>	Scrolls through menu options in descending order.
<UP>	Scrolls through menu options in ascending order.
<ENTER>	Used to select and store the current menu or option within a menu.

When a menu function is selected, the display will show immediately the first available option for the selected menu function. To select a menu item, press<ENTER>.

Press the <MENU> button repeatedly until you reach the desired menu function. Use the <UP> and <DOWN> buttons to navigate the menu options. Press the <ENTER> button to select the menu function currently displayed, or to enable a menu option. To return to the previous option or menu without changing the value, press the <MENU> button.No alteration worth that return re-option or menu , press(MENU)button

4.2 Menu map



5. Technical specifications

Voltage	100-240v 50Hz-60Hz
LEDs	6x15w RGBW4IN1 LED
Pan	540°
Tilt	220°
Tiptop environment temperature	104°F(40°C)
Date input/output	3 pin XLR-connection
Product size	230*215*250mm(L×W×H)
N.W	4.1kg